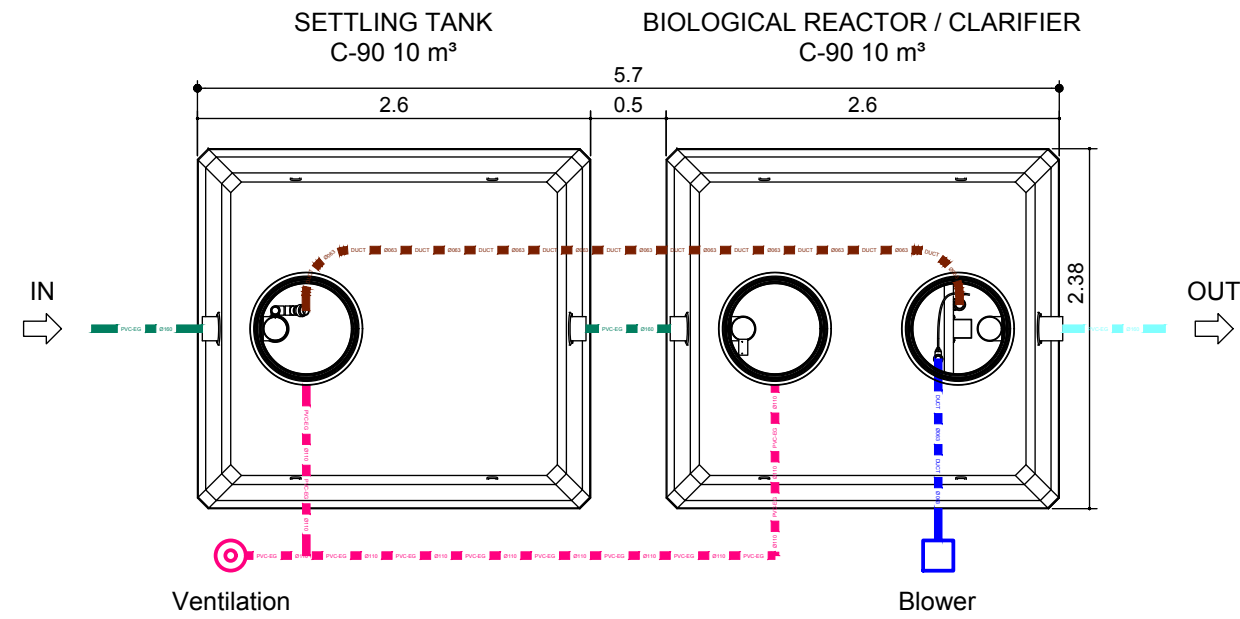


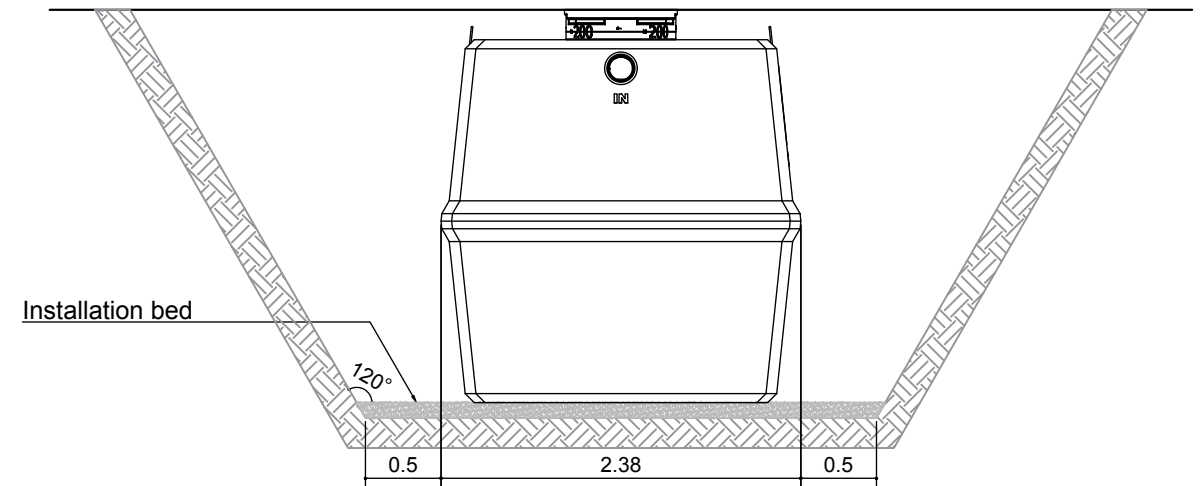
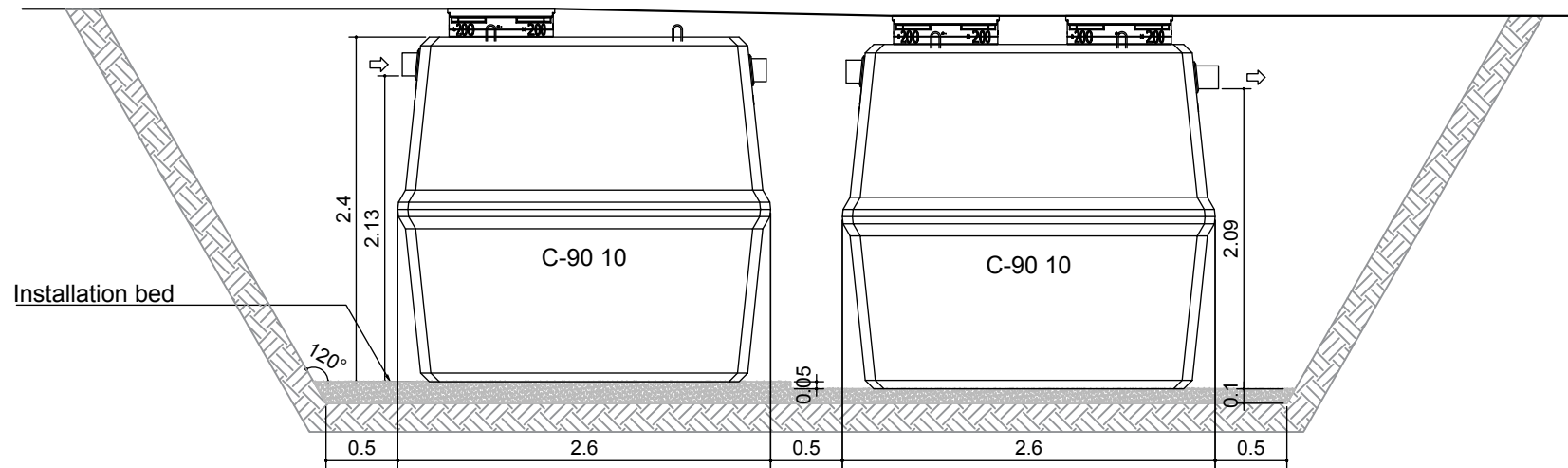
OXYFIX C-90 MB 21-27 PE (2)



REMARKS:

1. **Installation requirements :**
Please read carefully the installation guide before any installation !!
2. **Dimensions tolerances:**
2%
3. **Option(s):**
Pipes, risers, lids and accessories in option.

PIPING LEGEND	
Type of product conveyed (colour)	
■ Waste water	■ Air blower
■ Cleaned water	■ Ventilation
■ Sludge	■ Electric sheath



DATE	INDICES	MODIFICATIONS	VALIDATION		
			Compiled by: P. Hick	Checked by:	Validated by: P. Wilmet

eloy water

Zoning de Damré, rue des Spinettes 13
4140 Sprimont (BELGIUM)
Tel: +32(0)4/382.44.00 - Fax: +32(0)4/382.44.01
http://www.eloywater.com - info@eloywater.com

OXYFIX C-90 MB 21-27 PE (2) / 4.05 m³/day
Site plan

STANDARD PRODUCT RANGE OXYFIX EU	Scale 1/50	Date 02/10/2017	Sheet A3
EW-2665 R 027 I001 -			