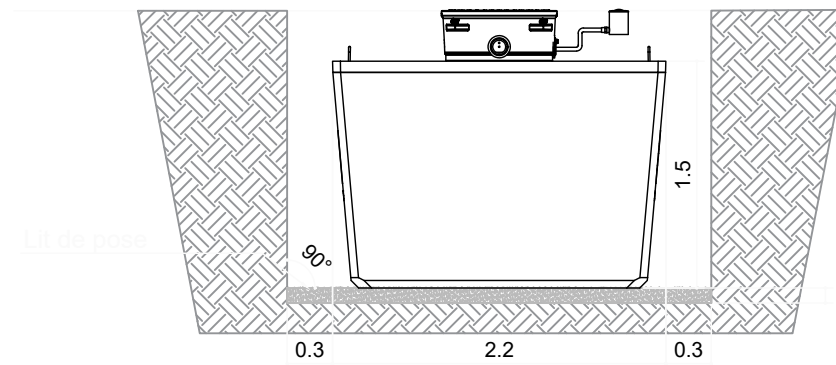
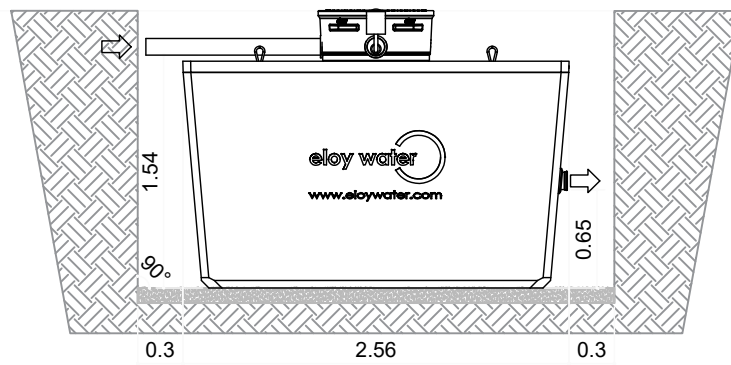
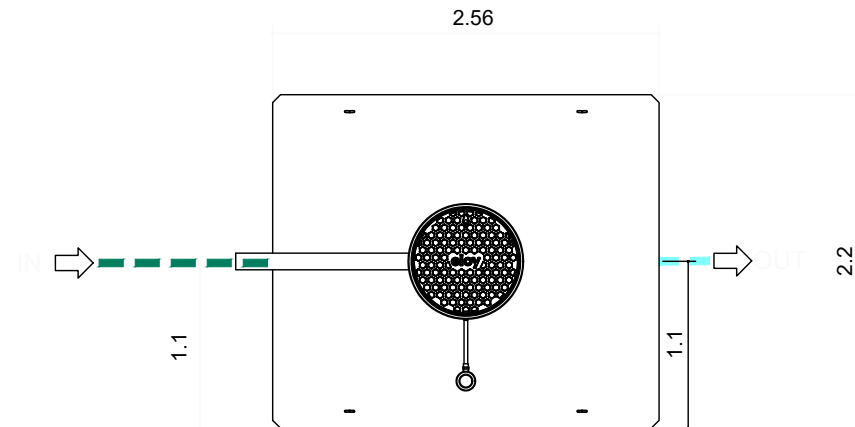


WATERDUO C90 6.2





REMARQUES:

1. **Conditions de pose:**  
Merci de lire attentivement le guide de mise en œuvre avant toute installation.
2. **Tolérances sur les dimensions:**  
2 cm
3. **Option(s):**  
Tuyauterie et accessoires en option.

| LEGENDE TUYAUTERIE  |  |
|---|--|
| Nature du produit véhiculé (couleur)  |  |
| <span style="display: inline-block; width: 15px; height: 15px; background-color: #008000; border: 1px solid black;"></span> Eau usée    | <span style="display: inline-block; width: 15px; height: 15px; background-color: #FF00FF; border: 1px solid black;"></span> Ventilation      |
| <span style="display: inline-block; width: 15px; height: 15px; background-color: #00FFFF; border: 1px solid black;"></span> Eau traitée | <span style="display: inline-block; width: 15px; height: 15px; background-color: #000000; border: 1px solid black;"></span> Gaine électrique |

|     |              |            |          |             |            |
|-----|--------------|------------|----------|-------------|------------|
| -   | Prototype    | 20/06/2024 | CCOL     |             |            |
| Rev | DESCRIPTIONS | DATE       | DESIGNER | VERIFIED BY | VALIDED BY |

|  |  |  |    |  |
|--|--|--|----|--|
| <br>Zoning de Damré, rue des Spinettes 13<br>4140 Sprimont (BELGIUM)<br>Tel: +32(0)4/382.34.44<br>http://www.eloywater.com - info@eloywater.com | <b>WATERDUO C90 6.2</b><br>Plan d'implantation |  |    |  |
|  | GAMME STANDARD                                 |  1/50 | A3 |  |
|  | WATERDUO                                       | EW-S3810-WDC906.2-3-1.dwg  |    |  |