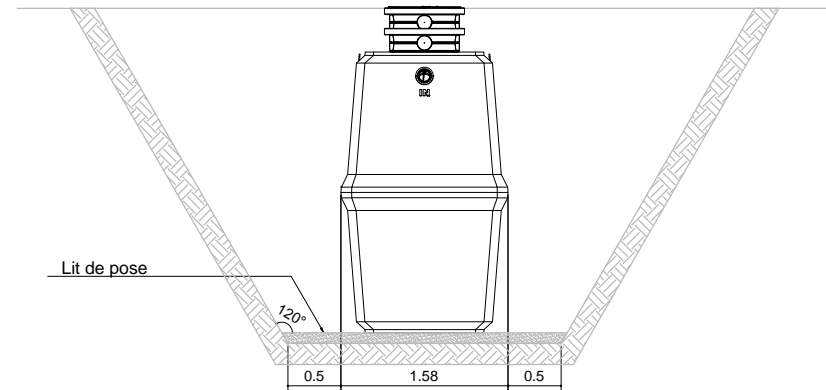
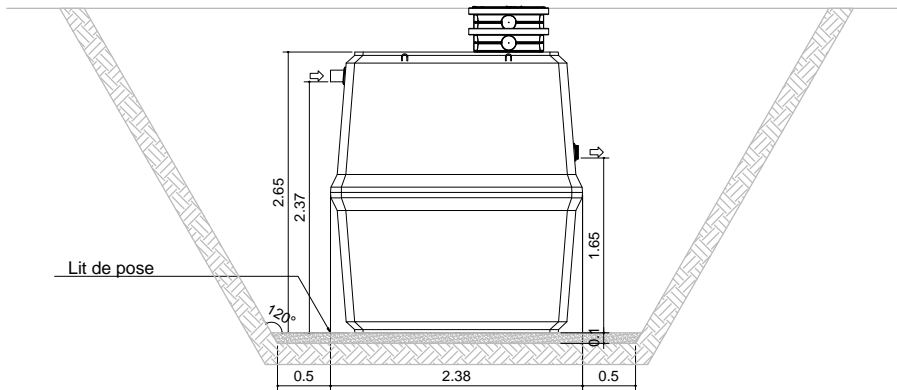
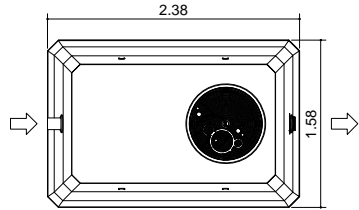



WATERBUFFER C-90 7.5 m³ - Buffer 2.4 m³



| DATE | INDICES | MODIFICATIONS | VALIDATION | | |
|--|---------|---------------|---|--------------------------|-----------------------------|
| | | | Dressé par: P. Hick | Vérifié par: O. Lisin | Validé par: X. Maertens |
|  | | | WATERBUFFER C-90 7.5 m³ - Buffer 2.4 m³ Monocuve Plan Guide d'Implantation | | |
| Zoning de Damré, rue des Spinettes 13 4140 Sprimont (BELGIUM) Tel: +32(0)4/382.44.00 - Fax: +32(0)4/382.44.01 http://www.eloywater.com - info@eloywater.com | | | GAMME STANDARD ELOY WATERBUFFER EUROPE | | Echelles 1/50 EW- 174 |
| | | | Date | 21/01/2016 | Feuille |
| | | | | A3 | |
| | | | R | 075 I001 | |